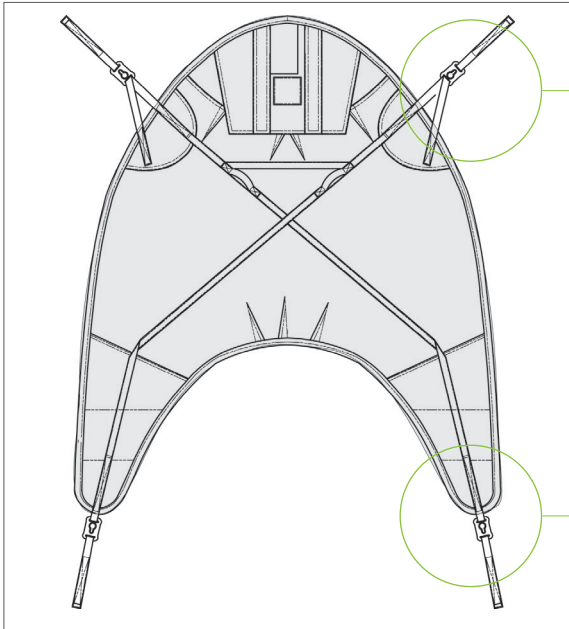




Fitting Protocol

General Purpose Sling
Models NSB-104C, NSB-105



- Green Strap
- Yellow Strap
- Red Strap

Extension Loops

- 21180-10 (10cm/3.9")
- 21180-15 (15cm/5.9")
- 21180-20 (20cm/7.8")
- 21180-25 (25cm/9.8")
- 21180-35 (35cm/13.7")

Choose the loop combination that will give the most comfortable and safe suspension angle, keeping in mind the patient's ability to support themselves.



- Green Strap**
Increased Recline
Less hip flex and greatest angle
- Yellow Strap**
Semi-Recumbant
Mid-hip angle
- Red Strap**
Upright Position
Least hip angle

- Green Strap
- Yellow Strap
- Red Strap

Extension Loops

- 21180-10 (10cm/3.9")
- 21180-15 (15cm/5.9")
- 21180-20 (20cm/7.8")
- 21180-25 (25cm/9.8")
- 21180-35 (35cm/13.7")

Match colours on both sides of the patient for a 90 degree angle in the hips.

Maximum User Weight: 318kg/700lb

- Model NSB-104C (clips)**
- Model NSB-105 (loop straps)**

Transfer Situation:

- To/From a Bed
- To/From a Chair
- To/From the Floor

Available sizes:

- S**
- M**
- L**
- XL**
- Indicate size required

Leg Placement:

- Divided relaxed position
- Open position
- Divided position
- Closed position

Suspension:

- 2-Point
- 4-Point
- 3-Point
- ESB

Accessories required:

- 21146 Leg Padding - Small
- 21146 Leg Padding - Medium
- 21146 Leg Padding - Large
- 25102 Reinforced Leg Support - One Size

Patient Information:

Name	
Facility	Room
Lift Used	Hanger Bar Used

The General Purpose Sling is a medium back model with divided leg parts. It has an easy fit with built-in flexibility to achieve proper leg and body positioning for patients with some upper body control. The nonproprietary strap attachments are suitable for use on ceiling or floor lift suspensions designed for strap and-loop slings. The clips easily attach to an electronic spreader bar. These slings are single patient use models and must only be used by a single patient at a time. Unlike some single patient use slings, these slings can be left under the patient since they wick away fluids and since they are single patient use, as an added benefit, they assist with infection control.

Additional Instructions

To staff/caregiver:

To patient:

Fitting Protocol Completed by:

Name		
Date	Position/Title	



Important! This fitting protocol does not replace the user manual. Read all instructions before use!